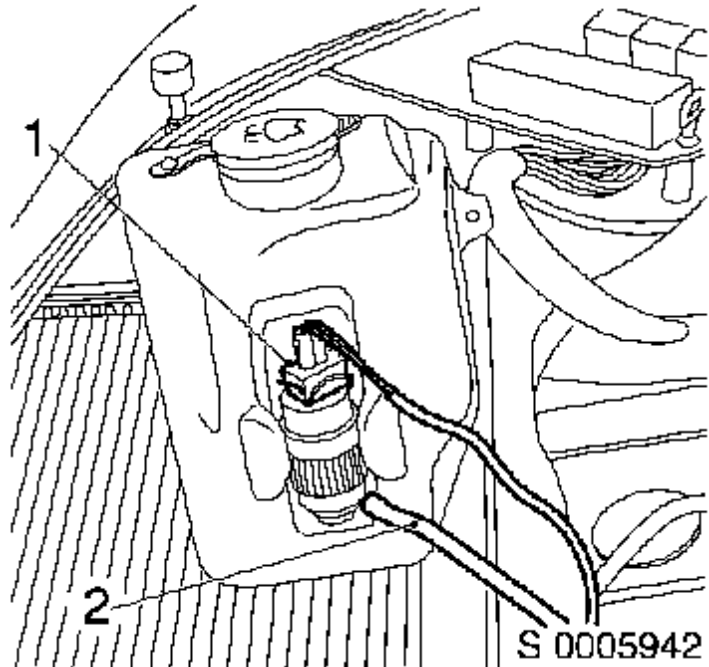


## Heater Assembly, Replace

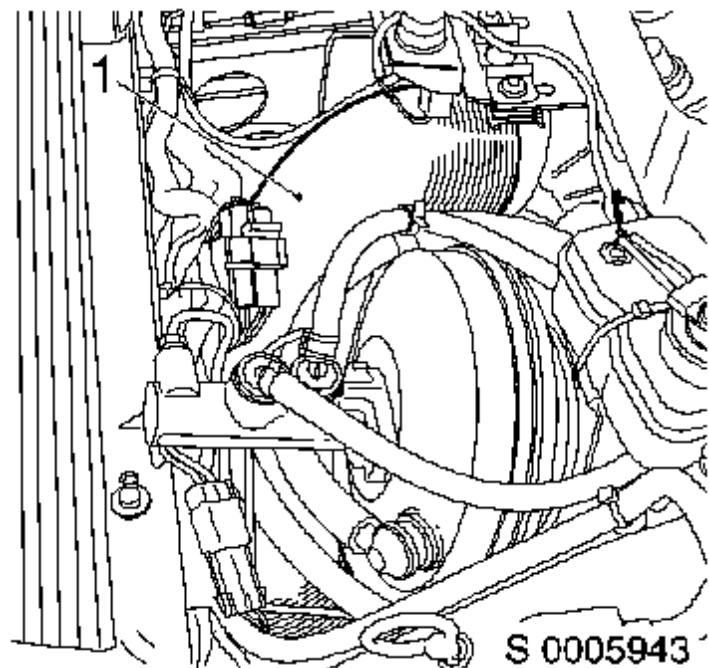


### Remove

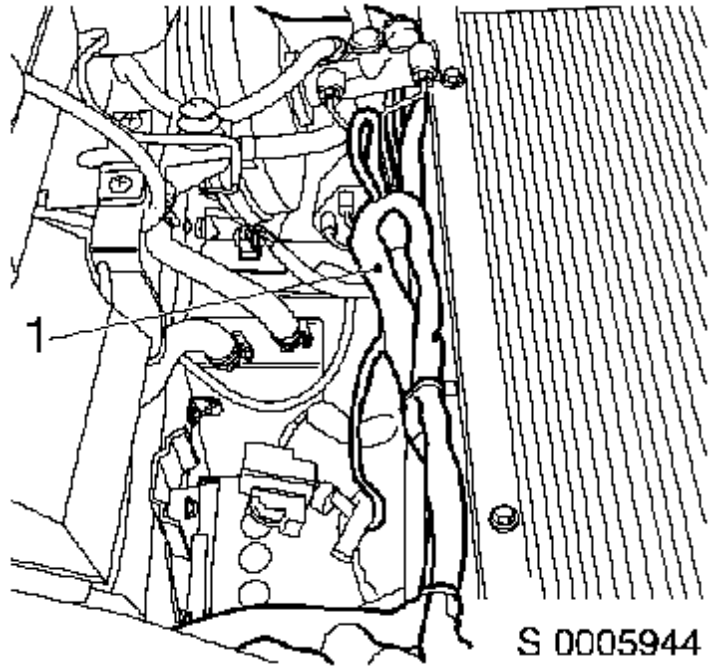
1. Drain coolant - see operation "Cooling system, Drain, Fill and Bleed (Z22 SE, Z 20 LET)"
2. Remove screen wash reservoir from support bracket
  - Slide off
  - Disconnect pump (1)
  - Disconnect washer pipe (2)
    - Pull off



3. Remove air intake pipe (1) from heater assembly and air distribution housing
  - Pull off

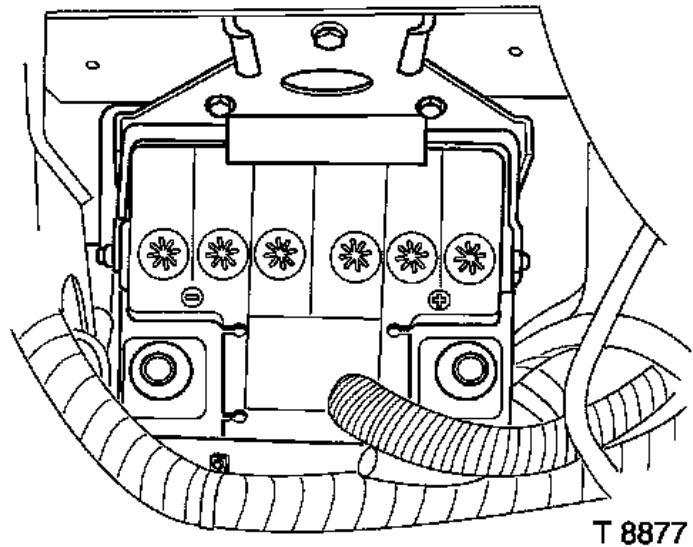


4. Release wiring harness (1) from radiator housing
  - Remove 5x cable ties, then discard



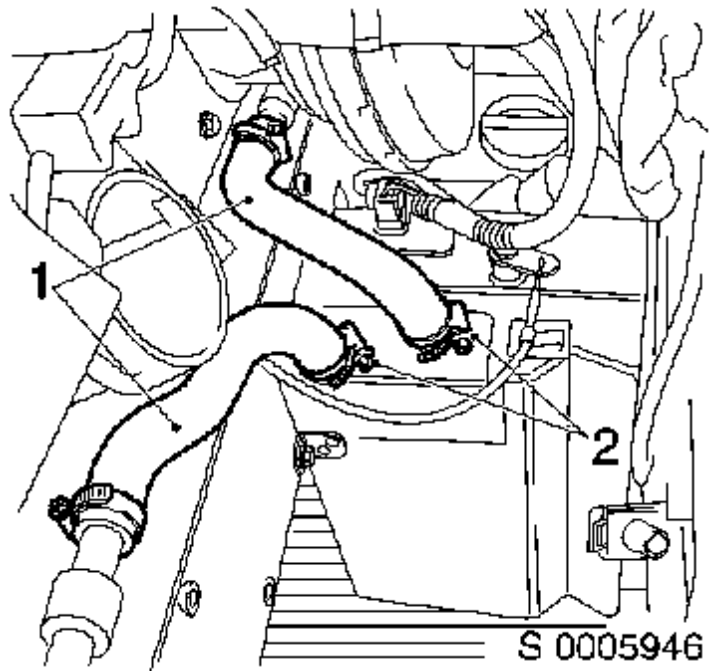
**5. Remove battery**

- Disconnect battery leads
  - Release 2x nut, bolt
- Remove battery clamp from bulkhead
  - Remove 3x bolt

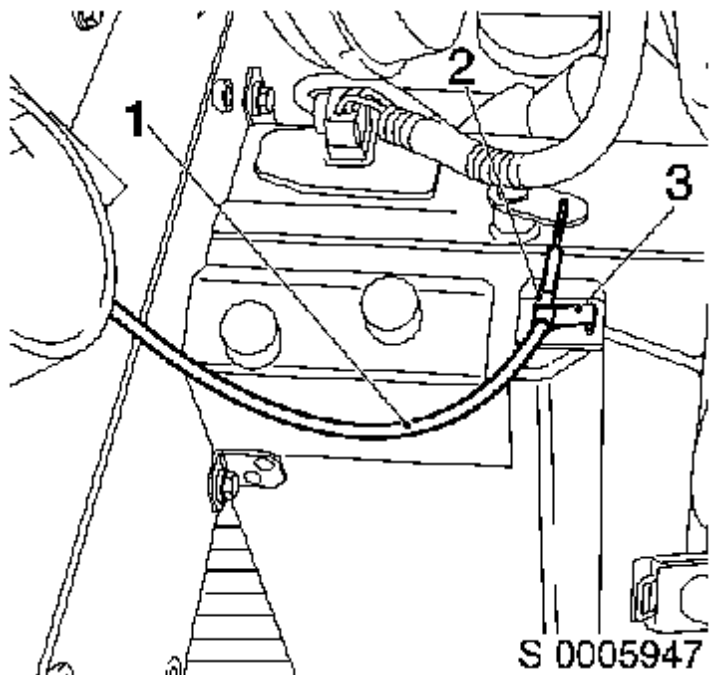


**6. Release 2x coolant hose (1) from heater assembly**

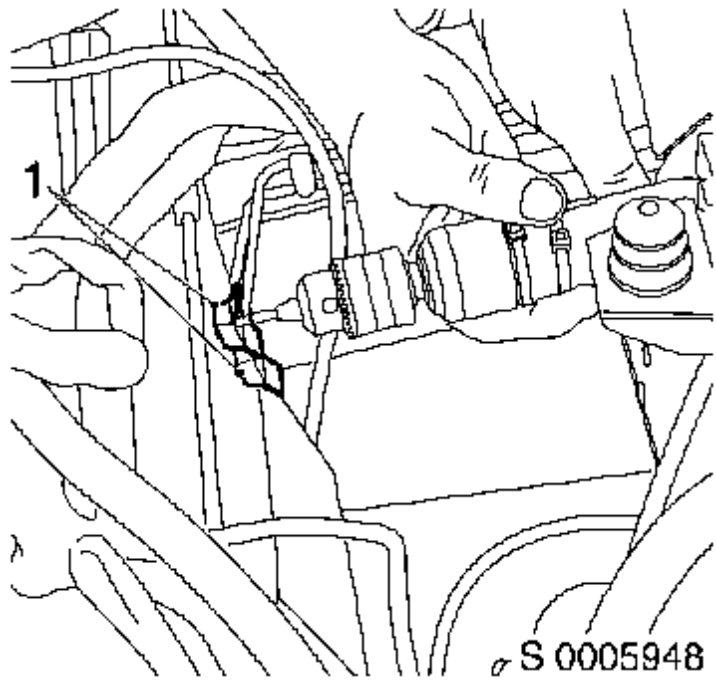
- Release 2x clip (2)
- Pull off
- Install 4x blanking plug



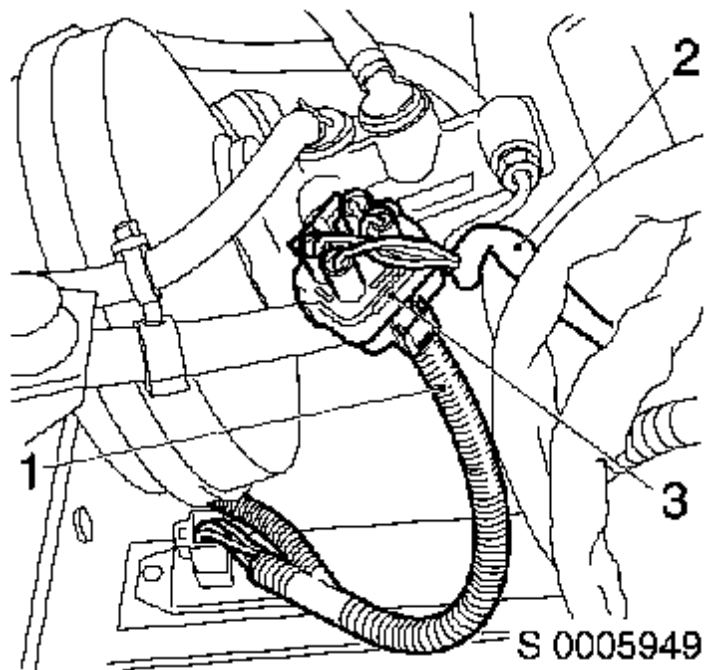
7. Disconnect bowden cable (1) from lever on heater assembly
- Apply match mark (2)
  - Prise off clip (3)



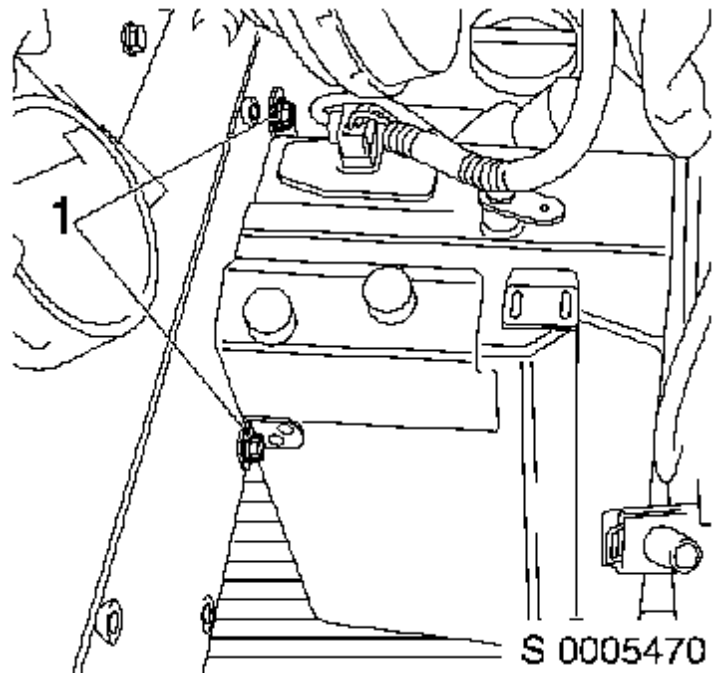
8. Remove 2x support bracket for wiring harness (1)
- Drill out 2x rivet



9. Disconnect extension harness for heater assembly (1) from body harness (2)
- Release connector (3)



10. Remove heater assembly
- Remove 2x bolt (1), 4x washer



### Install

11. Transfer extension harness to new heater assembly
12. Install new heater assembly
  - Install 2x bolt (1), 4x washer
13. Connect extension harness for heater assembly to body harness
  - Secure connector
14. Install 2x support bracket for wiring harness
  - Install 2x rivet
15. Connect bowden cable to lever on heater assembly
  - Align match mark
  - Push on clip
16. Secure 2x coolant hose to heater assembly
  - Remove 4x blanking plug
  - Push on
  - Secure 2x clip
17. Install battery
 

**Note:** Note relevant position of bolts. Upper fixing bolt has thinner head.

  - Install battery clamp to bulkhead
    - Install 3x bolt
  - Connect battery leads
    - Secure 2x nut, bolt
18. Secure wiring harness to radiator housing
  - Install 5x new cable ties
19. Install air intake pipe to heater assembly and air distribution housing
  - Push on
20. Install screen wash reservoir to support bracket
  - Connect pump

- Connect washer pipe
  - Push on
- Slide on

**21.** Program all volatile memories

**22.** Refill and bleed cooling system - see operation "Cooling system, Drain, Fill and Bleed (Z22 SE, Z 20 LET)"